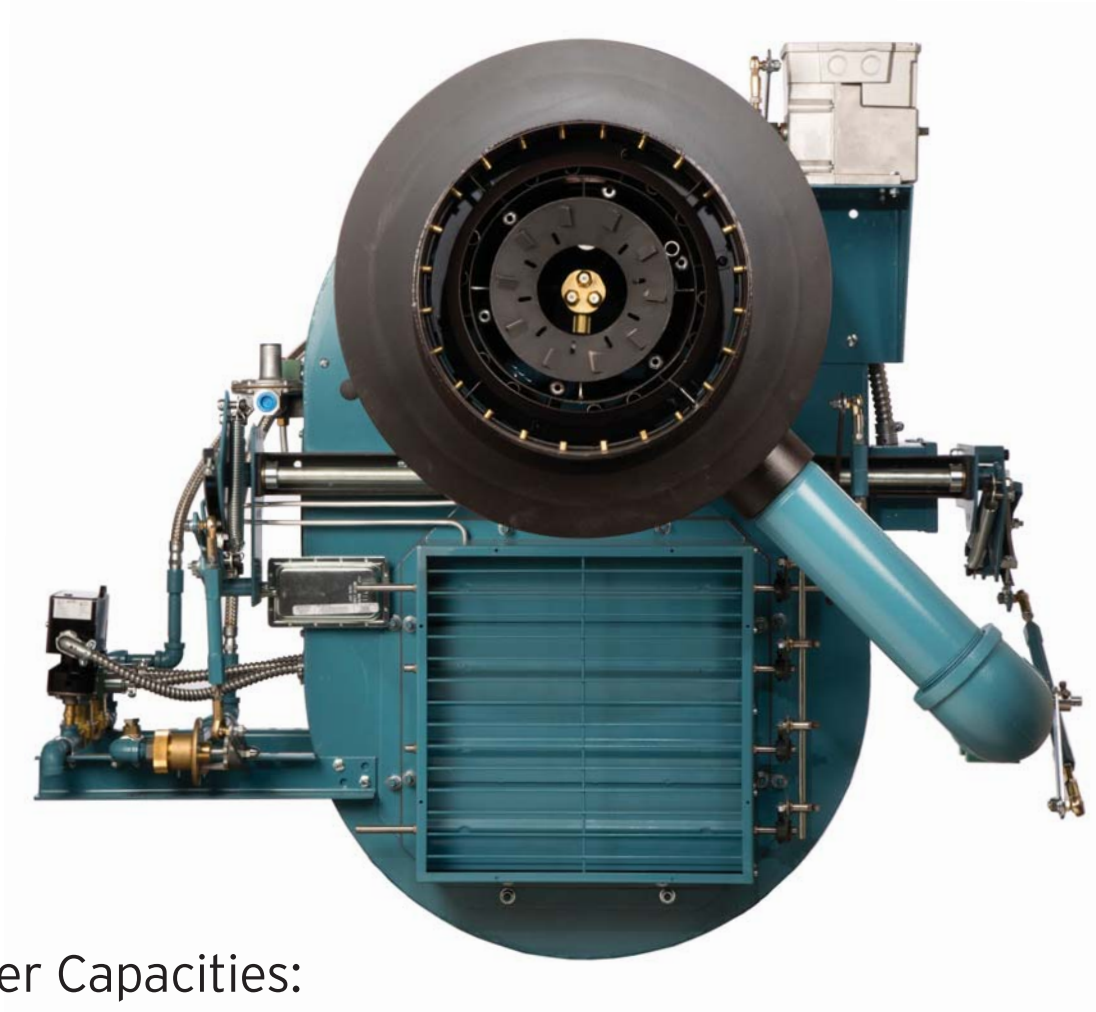


HDRV(X) Series Burners

**Forced Draft Register Burners For Flextube,
Firetube, Watertube And Firebox Boilers**



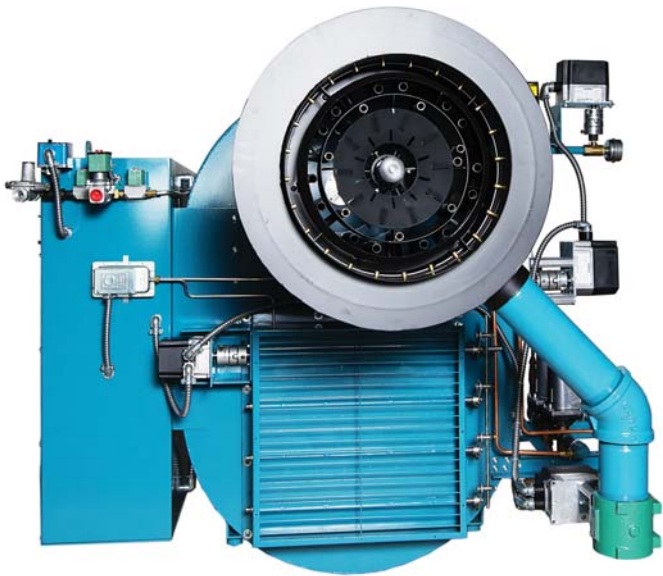
Burner Capacities:

12,600 MBH up to 40,300 MBH HDRV

10,080 MBH up to 32,240 MBH HDRVX



Benefits Of The HDRV(X) Series Burners



The Webster HDRV(X) burner brings the proven efficiencies of air register and venturi technology into a mid-size firing rate of 10 to 40MMBtu/Hr, something no other manufacturer provides. The unique register and venturi design offers exceptional flame shaping so the flame can fit furnaces without impingement. The HDRV(X) blower unit features a compact, aerodynamic, high capacity blower wheel and housing for long-lasting, reliable operation. The air inlet

on the HDRV(X) faces the boiler for maximum dampening of air inrush noise.

All HDRV(X) burners will fire any commercially available fuel. This includes natural or LP gas, mixed or digester gas, and all grades of fuel oil and qualified waste oils. It will fire steel firebox boilers, scotch marine boilers, water tube boilers, air heaters, kilns, incinerators, and many other types of furnaces. The HDRV(X) readily adjusts to either positive or negative furnace pressures without loss of operating efficiency and the housing can be rotated 90° to provide necessary clearances on low set furnaces. Low NOx designs, both with and without induced flue gas recirculation (FGR), are available for projects that require low emissions.

Webster HDRV(X) burners are completely factory wired, assembled, and tested so they come to you ready for installation and connection to fuel and electrical supplies. Typical HDRV(X) series burners are installed and ready for start-up in a minimal amount of time, saving valuable time and money at your installation.

HDRV(X) Features

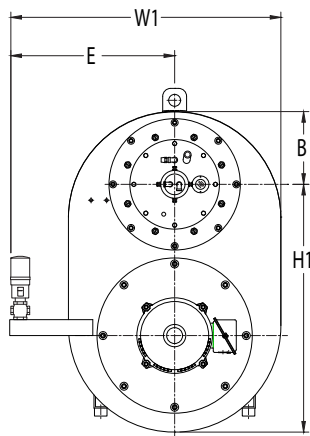
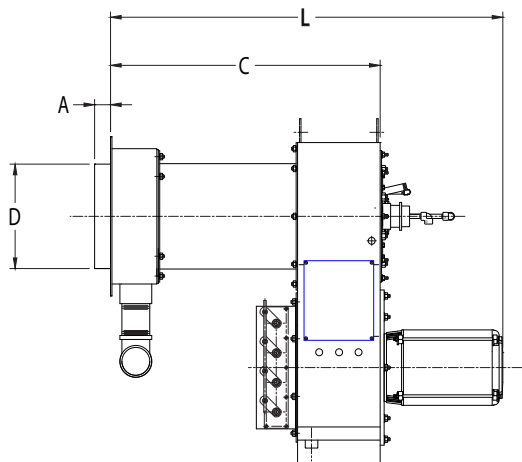
- Heavy-duty construction for industrial users
- High combustion efficiency
- Register and venturi for flame shaping to fit your furnace
- Outstanding flame stability
- Unique air inlet design for quiet operation
- Fires all types of fuels
 - ✦ Natural, LP, Digester or Mixed Gases
 - ✦ All grades of fuel oil and qualified waste oils
- Fires all types of furnaces
 - ✦ Firetube, watertube, firebox, heaters, kilns, and other furnaces
- Adaptable blower housing to fit your application
- Low NOx options available
- UL & ULC Listed
- Linkage and linkageless control options
- Add Temp A Trim for most efficient operation and quick payback



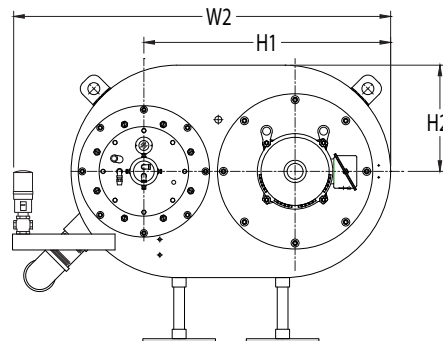
Webster Combustion has the best lead times in the industry. To configure the perfect HDRV(X) burner for your application and obtain current scheduling information, contact Webster or visit www.webster-engineering.com to locate a sales office in your area.

HDRV(X) Burners

HDRV(X) STANDARD VERTICAL ARRANGEMENT



HDRV(X) OPTIONAL HORIZONTAL ARRANGEMENT



BURNER MODEL	MIN REQ'D GAS PRESS (PSIG)	STD GAS TRAIN SIZE	MAX FIRING RATE (MBH) STD	MAX FIRING RATE (MBH) W/ FGR	FAN MOTOR HP	DIMENSIONS - INCHES												
						A	B	C	D	E	H1	H2	L*	V	W1	W2	X	Y
HDRV(X)5G-50	1	3"	12,600	10,080	5	2	9	34	13.2	26	31	14	45	19	45	50	24.3	30.5
HDRV(X)5G-75	1	3"	16,800	13,440	7.5	2	9	34	13.2	26	31	14	47	19	45	50	24.3	30.5
HDRV(X)5G-100	1	3"	19,000	15,200	10	2	9	34	15.2	26	31	14	48	19	45	50	24.3	30.5
HDRV(X)7G-150	2	3"	25,800	20,640	15	2	11	43	15.2	29	38	17	56	23	51	58	25.7	36.1
HDRV(X)7G-200	3	3"	30,200	24,160	20	2	11	43	17.2	29	38	17	59	23	51	58	25.7	36.1
HDRV(X)9G-250	3	3"	33,000	26,400	25	2	14	48	19.2	30	47	18	68	28	54	70	28.6	36.5
HDRV(X)9G-300	3	3"	35,600	28,480	30	2	14	48	19.2	30	47	18	68	28	54	70	28.6	36.5
HDRV(X)9G-400	3	3"	40,300	32,240	40	2	14	48	19.2	30	47	18	69	28	54	70	28.6	36.5
HDRV(X)9G-500	3	3"	40,300	32,240	50	2	14	48	19.2	32	52	20	78	31.3	58	75	31.6	36.5
HDRV(X)9G-600	5	3"	40,300	32,240	60	2	14	48	21.2	32	52	20	79	31.3	58	75	31.6	36.5

* For Dimensions C & L, Add 13" if using FGR and/or Silencer.



The *Better* Boiler Burner.

Represented By

619 Industrial Road, Winfield, KS 67156 / Phone: 620-221-7464 / Fax: 620-221-9447
www.webster-engineering.com / sales@webster-engineering.com