

JBS(X) Series Burners

High Efficiency, Low Excess Air



40 to 400 Boiler HP Range
UL/cUL Listed

Benefits Of The JBS(X) Series Burners



With the introduction of the JBS(X) series burner, Webster Combustion advanced the design of low excess air and high efficiency into the small to mid-size range of 2 to 16 MMBtu/Hr. The JBS(X) combustion head places a high spin on the combustion air for improved mixing and flame stability. This design also keeps the flame off the head so the burner can operate smoothly and without heat damage at low firing rates. The com-

bination of low excess air and extremely high turndown (up to 12:1) means the operator can achieve peak combustion efficiency using less fuel. In addition, higher turndown means reduced cycling and reduced equipment wear and tear.

When it comes to low emission requirements, Webster should be your choice. The JBSX is available with Induced Flue Gas Recirculation for 30ppm and lower emissions requirements. Webster has been providing low emission units for more than 25 years and understands what it takes to meet your compliance requirements.

Webster JBS(X) burners are completely factory wired, assembled, and tested so they come to you ready for installation and connection to fuel and electrical supplies. Typical JBS(X) series burners are installed and ready for start-up in a minimal amount of time, saving valuable time and money at your installation.

Combining the highly efficient JBS(X) burner with Webster's patented Temp A Trim air density trim system provides even more savings for commercial and industrial users and affords the quickest payback of any burner in the industry, as well as the opportunity for energy rebates.

JBS(X) Features

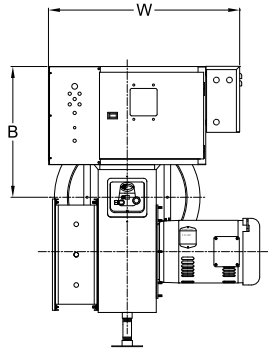
- Low excess air, high efficiency design
- High swirl combustion head
- Industry's highest turndown
 - ✦ Up to 12:1 firing Gas
 - ✦ Up to 10:1 firing Oil
- Low emissions with Induced FGR
- Heavy duty, industrial construction
- Designed for ease of service
- Quiet operation
- Standard or inverted housings available
- Burner mounted or remote control panels
- Linkageless control options
- Add Temp A Trim for most efficient operation and quick payback



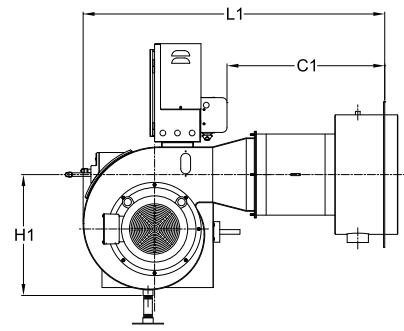
Webster Combustion has the best lead times in the industry. To configure the perfect JBS(X) burner for your application and obtain current scheduling information, contact Webster or visit www.webster-engineering.com to locate a sales office in your area.

JBS(X) Burner Sizes

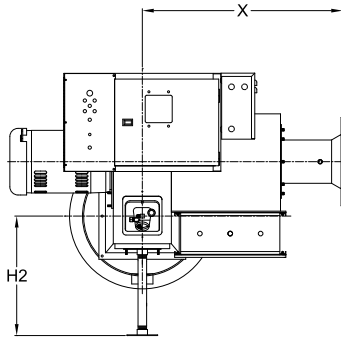
JBS(X) STANDARD CONFIGURATION BACK VIEW



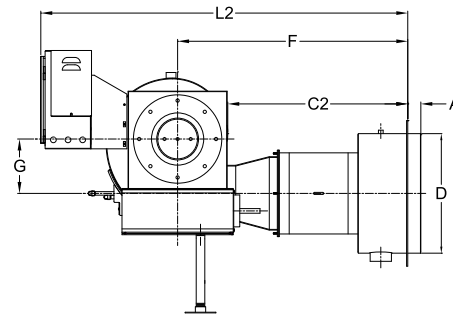
JBS(X) STANDARD CONFIGURATION SIDE VIEW



JBS(X) INVERTED CONFIGURATION BACK MOUNT PANEL, FGR BACK VIEW



JBS(X) INVERTED CONFIGURATION BACK MOUNT PANEL, FGR SIDE VIEW



MODEL	Min Req'd Gas Press. (PSIG)	Std Gas Train Size	Max Firing Rate (MBH) STD	Max Firing Rate (MBH) w/FGR	Fan Motor HP	DIMENSIONS (INCHES)												
						A**	B	C1	C2	D	F	G	H1	H2	L1	L2	W	Y
JBS2*-R-15	10"wc	2"	3,260	N/A	1.5	2	19.7	9.9	12.7	10	19.3	8.8	19	12.8	28.8	36.4	29.2	N/A
JBS2*-R-30	14.5"wc	2"	3,410	N/A	3	2	19.7	9.9	12.7	10	19.3	8.8	19	12.8	28.8	36.4	29.2	N/A
JBS2*-R-50	14.5"wc	2"	3,410	N/A	5	2	19.7	9.9	12.7	10	19.3	8.8	19	12.8	28.8	36.4	29.2	N/A
JBS(X)2*-S-20	18"wc	2 1/2"	5,350	3,420	2	2	19.7	11.9	14.7	12.3	21.3	8.8	19	13.8	30.8	38.4	29.2	25.2
JBS(X)2*-S-30	19.5"wc	2 1/2"	5,610	3,840	3	2	19.7	11.9	14.7	12.3	21.3	8.8	19	13.8	30.8	38.4	29.2	25.2
JBS(X)2*-S-50	12.5"wc	3"	7,250	5,610	5	2	19.7	11.9	14.7	12.3	21.3	8.8	19	13.8	30.8	38.4	29.2	25.2
JBS(X)3*-S-50	13.5"wc	3"	7,460	5,970	5	2	20	20.9	24.3	12.3	32.1	8.3	22.5	15.5	42.9	52.9	29.2	30.6
JBS(X)3*-T-50	25"wc	3"	8,160	6,120	5	2	20	23.8	27.2	14.5	35	8.3	22.5	17.2	45.8	55.8	29.2	30.6
JBS(X)3*-T-75	1 psig	3"	8,560	7,140	7.5	2	20	23.8	27.2	14.5	35	8.3	22.5	17.2	45.8	55.8	29.2	30.6
JBS(X)3*-T-100	1.3 psig	3"	9,600	8,160	10	2	20	23.8	27.2	14.5	35	8.3	22.5	17.2	45.8	55.8	29.2	30.6
JBS(X)3*-A-50	9.5"wc	3"	7,460	8,560	5	2	20	24.1	27.5	18.3	35.2	8.3	22.5	19.1	46.1	56.1	29.2	30.6
JBS(X)3*-A-75	25"wc	3"	12,850	9,180	7.5	2	20	24.1	27.5	18.3	35.2	8.3	22.5	19.1	46.1	56.1	29.2	30.6
JBS(X)3*-A-100	1.4 psig	3"	14,930	10,240	10	2	20	24.1	27.5	18.3	35.2	8.3	22.5	19.1	46.1	56.1	29.2	30.6
JBS(X)3*-A-150	1.7 psig	3"	17,340	13,870	15	2	20	24.1	27.5	18.3	35.2	8.3	22.5	19.1	46.1	56.1	29.2	30.6

* Can be "G" (Gas), "O" (Oil) or "C" (Combination Gas/Oil)

** 2" Nose length is standard. May be different depending on vessel insertion depth.



The Better Boiler Burner.

Represented By

619 Industrial Road, Winfield, KS 67156 / Phone: 620-221-7464 / Fax: 620-221-9447
www.webster-engineering.com / sales@webster-engineering.com